

TL-300

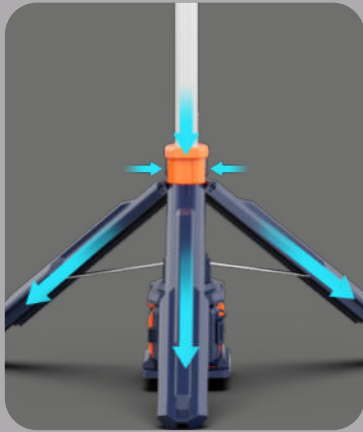
Deployable portable lighting in one bespoke robust package.

Portable
Tripod
Light

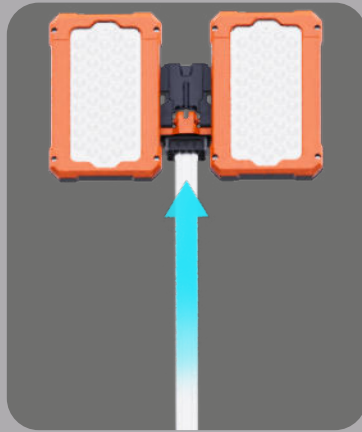


HIGHER, BRIGHTER, MORE STABLE

Expanding or retracting requires just two steps and can be completed in 10 seconds.

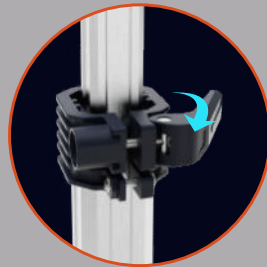


1 Release the legs



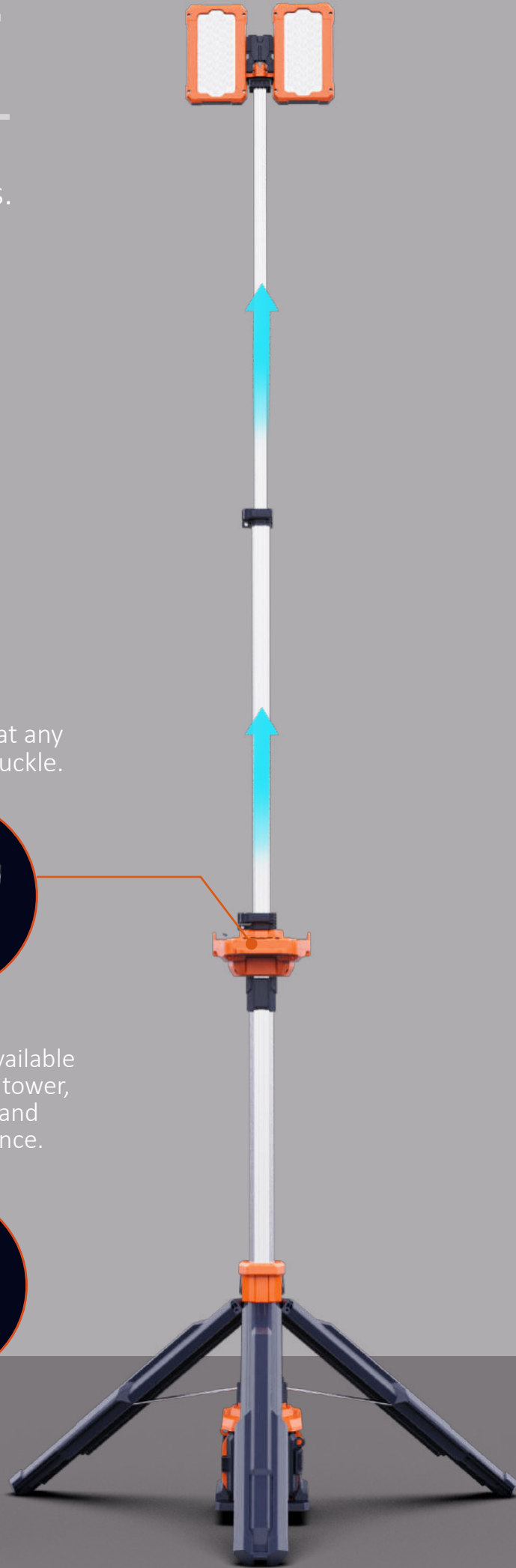
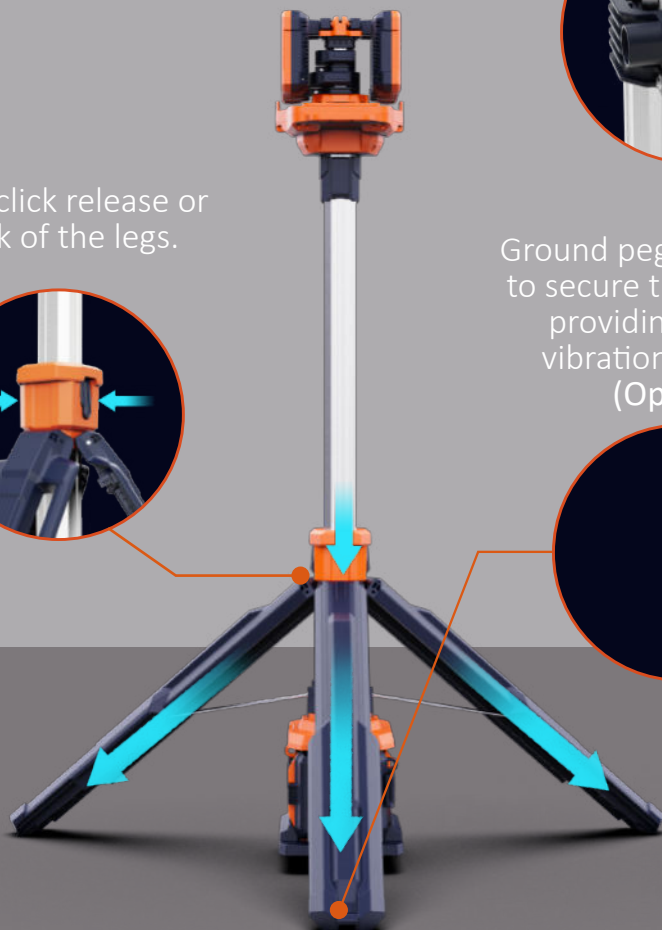
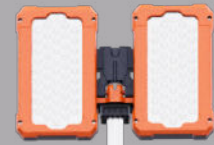
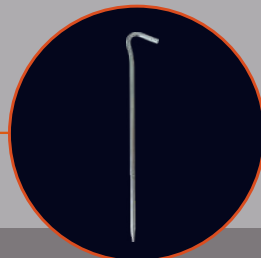
2 Release and rise the extension pole

Secure the lamp at any height with the buckle.

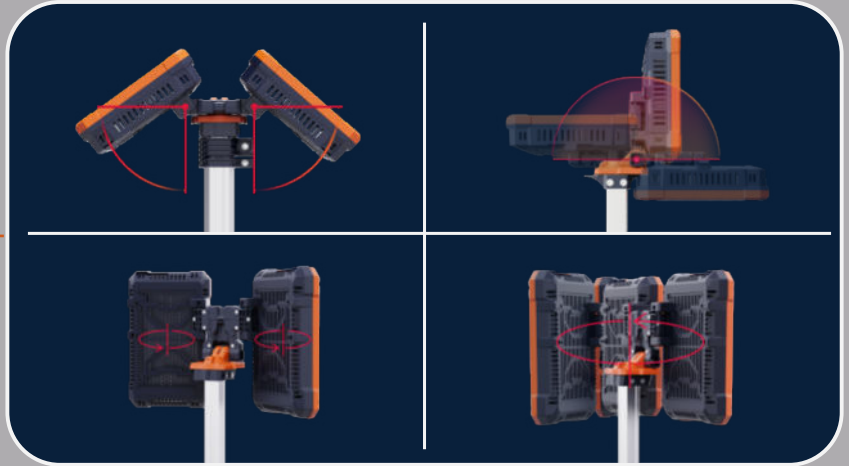


Ground pegs are available to secure the light tower, providing wind and vibration resistance. (Optional)

One-click release or lock of the legs.

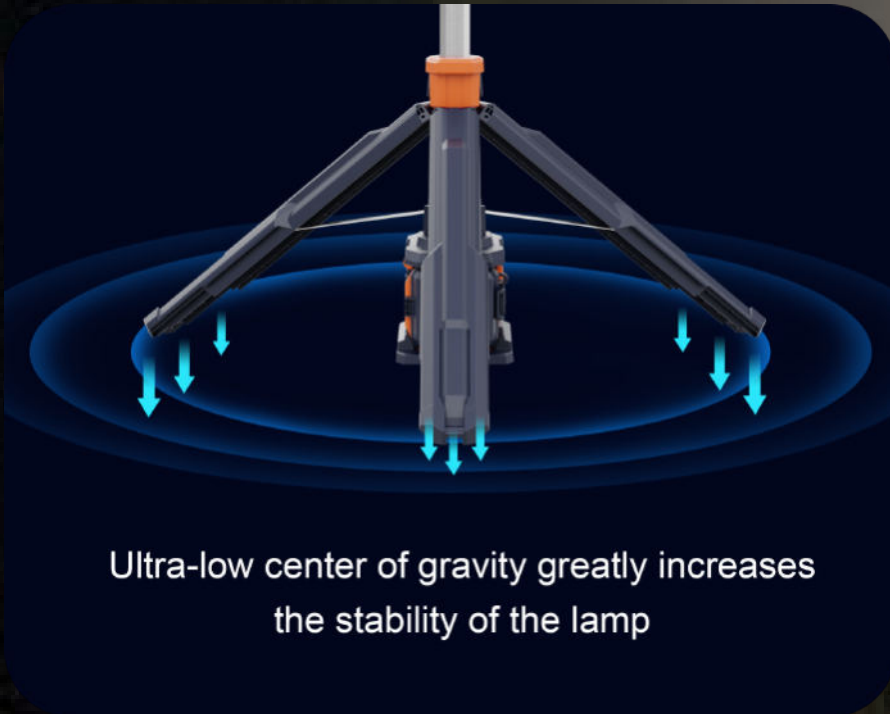


HUMANIZED DESIGN HIDDEN IN THE DETAILS



LOWER CENTER OF GRAVITY, GREATER STABILITY.

Ultra-low center of gravity combined with extended legs effortlessly handles strong winds and slopes.



Ultra-long working hours

Standard Mode Up To **13+** Hours
(D24-100 x2)

2 types of battery packs with different capacities have same contact slot.



D24-54 x 2

Typical working hours 36+ hours on Eco mode.



D24-100 x 2

Doubled typical working hours to 71+ hours.

Battery compartment fits two replaceable battery packs.



High light efficiency illuminating a wider space

Equipped with high-brightness LED light source and high-quality optical lens system

AC Powered

Up To **14,000** LM

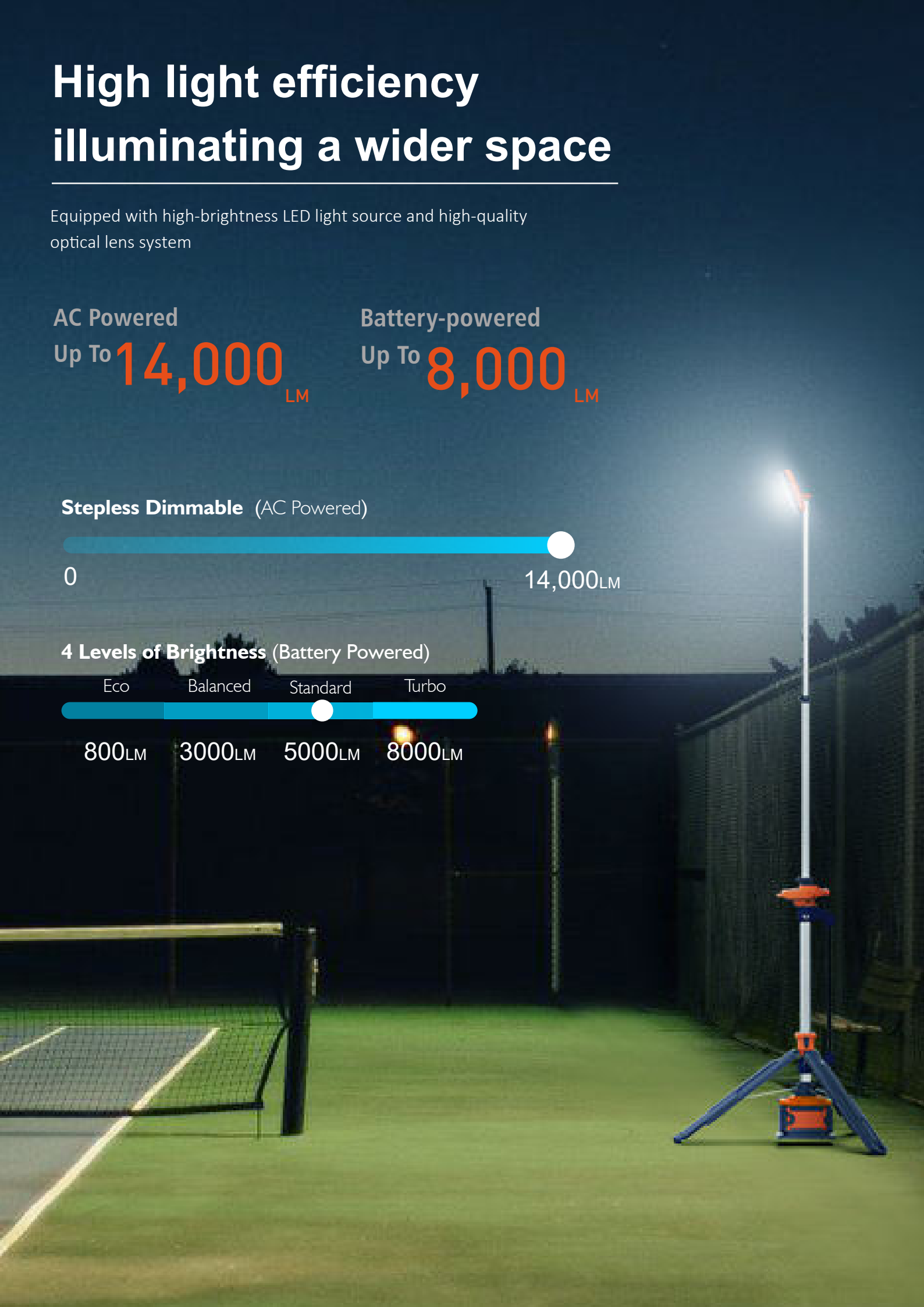
Battery-powered

Up To **8,000** LM

Stepless Dimmable (AC Powered)



4 Levels of Brightness (Battery Powered)





Construction



Emergency



Sport



Maintenance



Infrastructure



Outdoor activities



Mining



Railway

Designed for single-person operation

Easy to grip and move, weight 8.2 kg excluding battery pack.

3.1m



1.25m



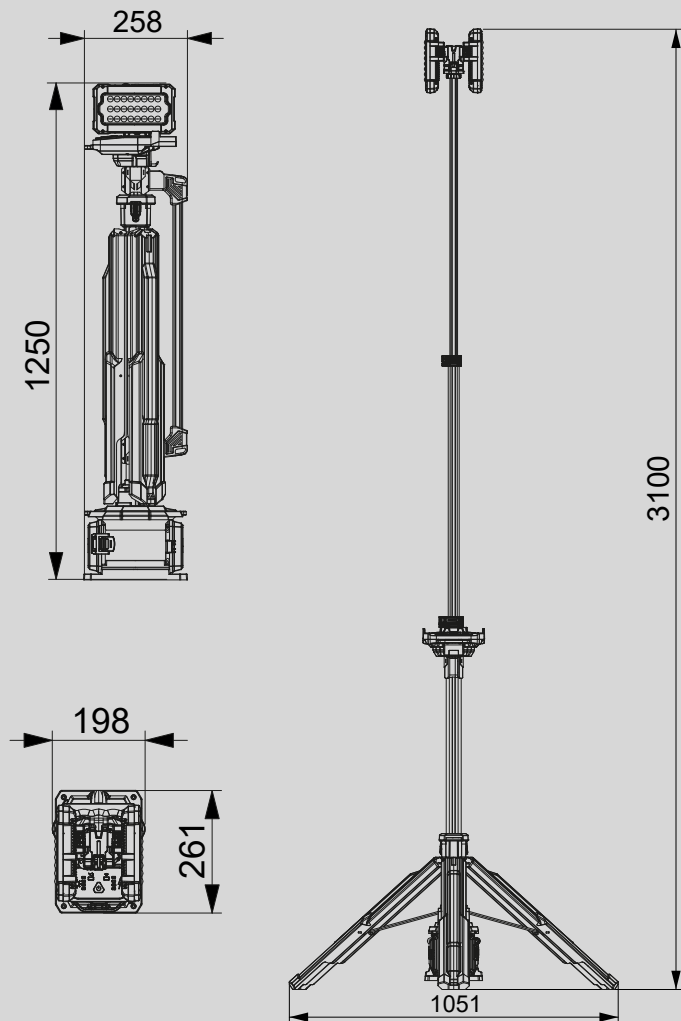
Specifications

TL-300

| | |
|----------------|---|
| Height | 1.25m-3.1m |
| Weight | 8.2KG (Fitting only) |
| Power Supply | D24 series battery pack / AC 100-277V |
| Lumens | 0-14000Lm |
| Run Times | >13h10mins (Standard mode, D24-100 x 2) |
| IP Grade | IP66 |
| Output(USB) | 5V 2A |
| Operating Temp | -10 C -50 C |

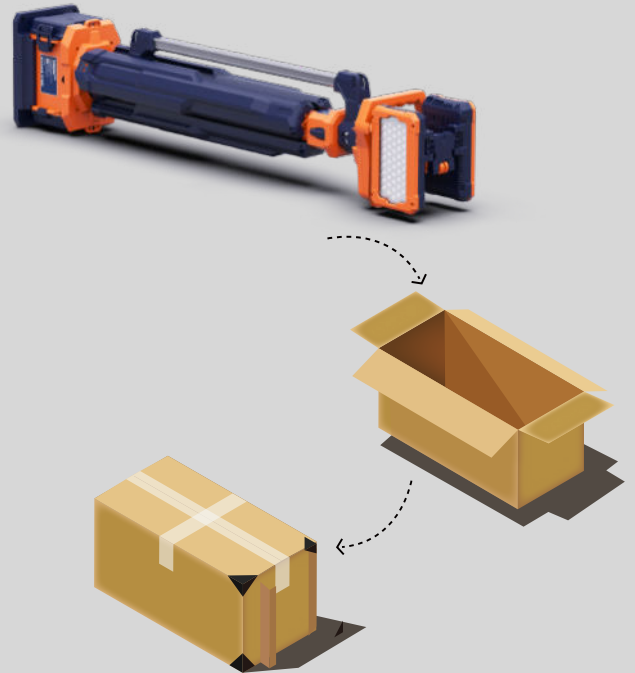


Size (mm)



Package

| | |
|------------------------|----------------|
| Model | TL-300 |
| Size of Carton | 1350x280x390mm |
| Gross Weight of Carton | 11.5KG |
| PCS/Carton | 1 |



Protech del Peru S

Tel: 981132338

Web: www.protechdelperu.com

E-mail: ventas@protechdelperu.com